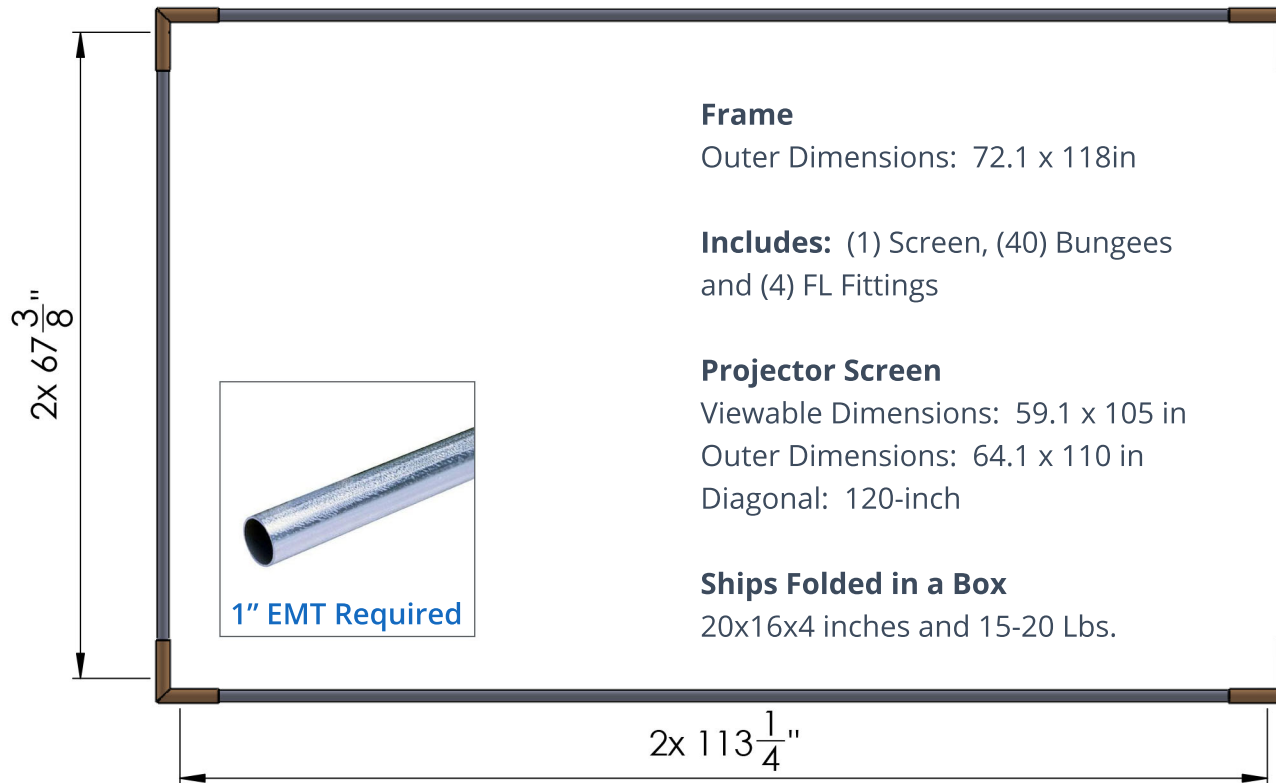


Carl's Place

Carl's (16:9) 5x9 Ft -- 120in Diagonal Hanging DIY Projector Screen Kit (Portable)



Frame

Outer Dimensions: 72.1 x 118in

Includes: (1) Screen, (40) Bungees and (4) FL Fittings

Projector Screen

Viewable Dimensions: 59.1 x 105 in
Outer Dimensions: 64.1 x 110 in
Diagonal: 120-inch

Ships Folded in a Box

20x16x4 inches and 15-20 Lbs.

Tips:

1-inch (EMT) Electrical Metal Tubing / Conduit Pipes – **Not included**

To achieve proper tension when mounting your screen to your poles; start by inserting the EMT pipe 4-inches into each corner fitting provided, then push or pull the pipes in or out of the fittings until you have pulled the screen tight.

Attach the screen with the included bungees. Insert the bungee cord through the grommet hole from behind the screen. The ball now touches the backside of the black vinyl border. Pull the cord over and around the 1" EMT pole. Lastly, loop the cord over the ball behind the screen. Rotate top, bottom, left and right— starting in the center and work your way out to the corners. Repeat until you have used every grommet hole.

3 Easy Steps

1. Cut 1-inch EMT poles to the dimensions shown
2. Insert poles 4-inch into each corner/support fitting
3. Stretch the screen to the frame using the bungees